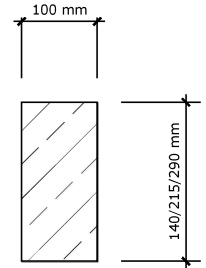
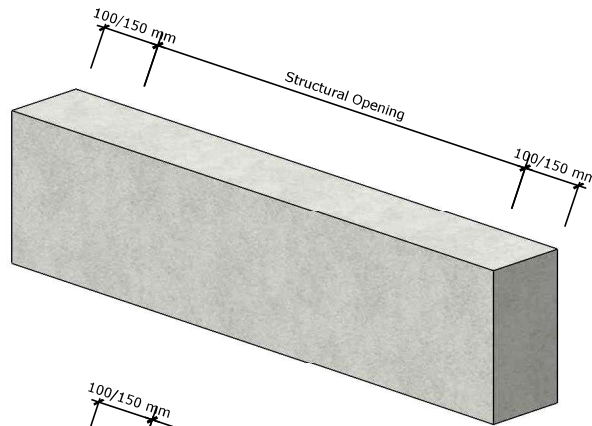
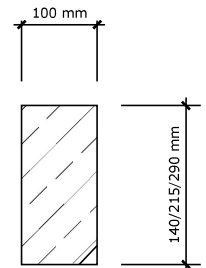
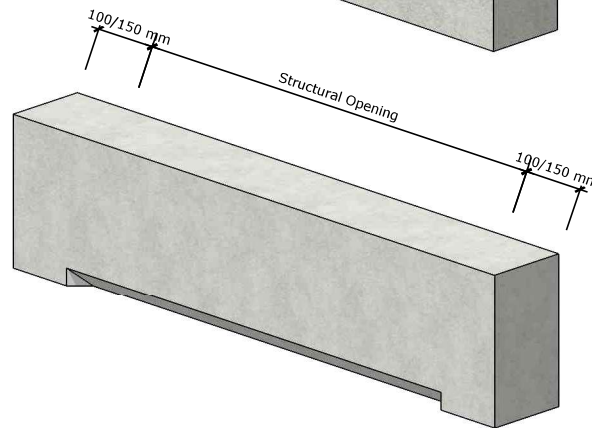


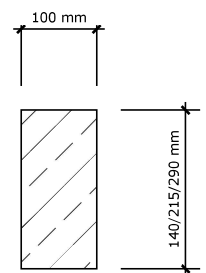
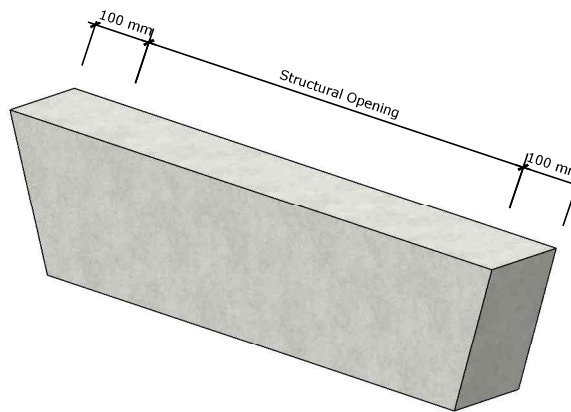
Head TYPE.1
MAX LENGTH 1500mm
 kg /m



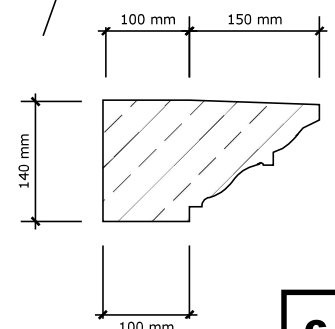
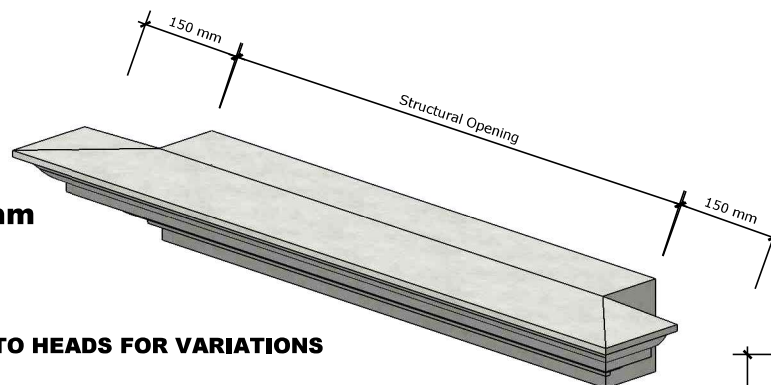
Head TYPE.2
MAX LENGTH 1500mm
 kg /m



Head TYPE.3
MAX LENGTH 1500mm
 kg /m



REGENCY TYPE
MAX LENGTH 1500mm
 kg /m

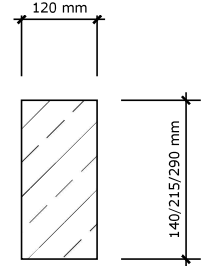
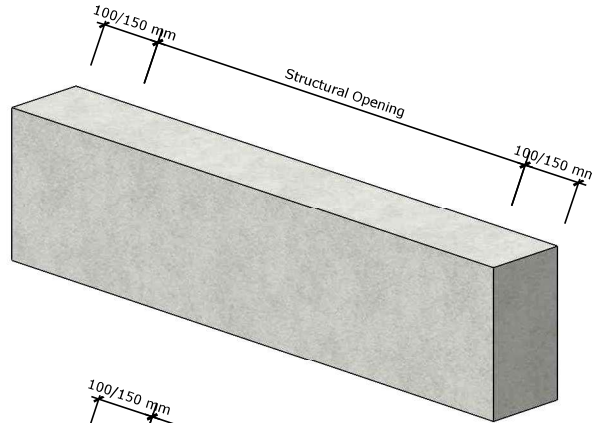


KEYSTONES CAN BE ADDED TO HEADS FOR VARIATIONS
PLEASE SEE PAGE 9

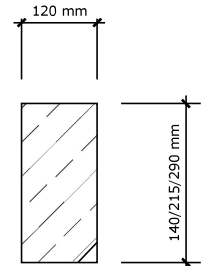
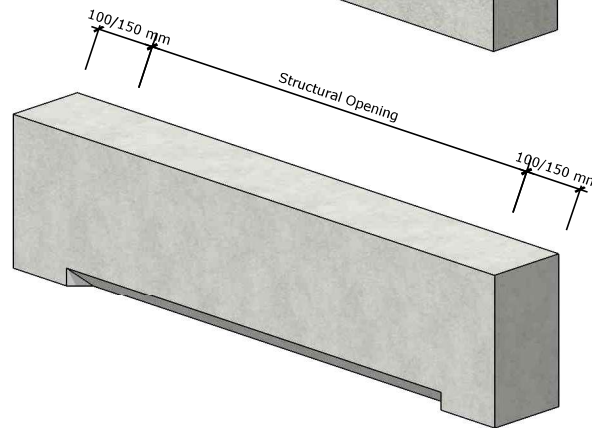
ALL HEADS CAN BE MADE TO SUIT ANY OPENING SIZE

TITLE: HEADS TO SUIT BRICKWORK

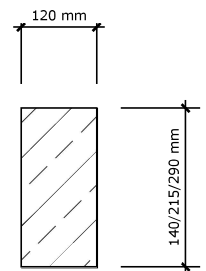
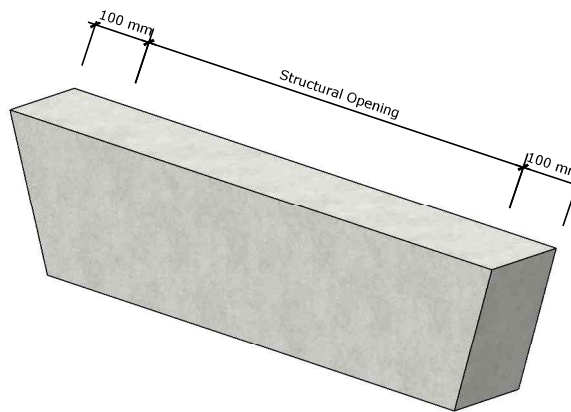
**Head TYPE.1
MAX LENGTH 1500mm**



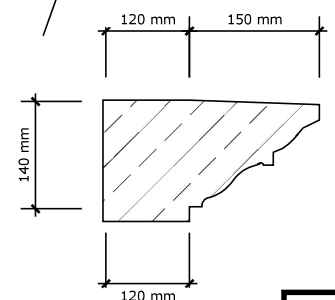
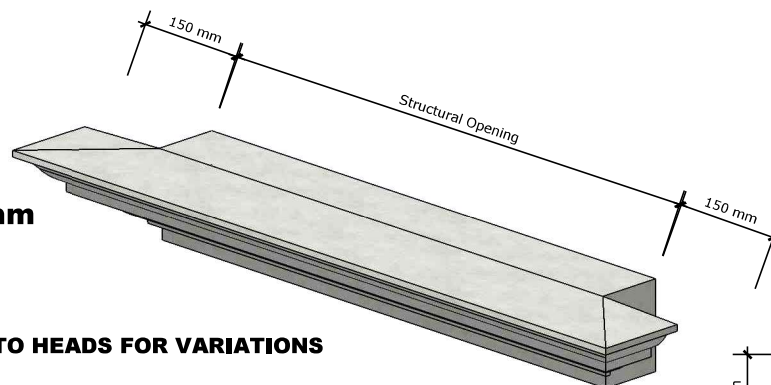
**Head TYPE.2
MAX LENGTH 1500mm**



**Head TYPE.3
MAX LENGTH 1500mm**



**REGENCY TYPE
MAX LENGTH 1500mm**

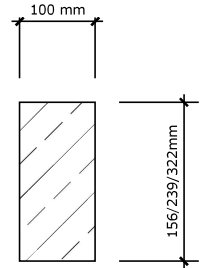
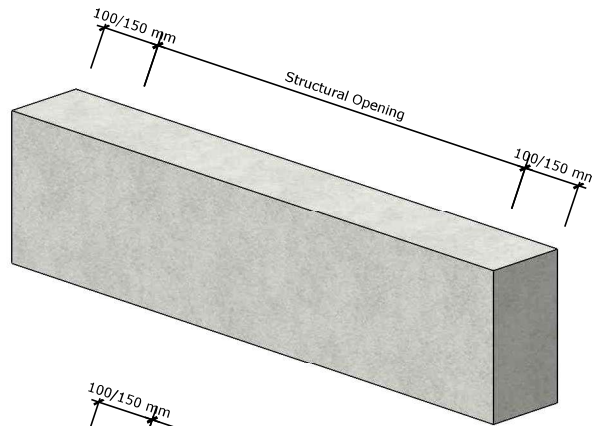


**KEYSTONES CAN BE ADDED TO HEADS FOR VARIATIONS
PLEASE SEE PAGE 9**

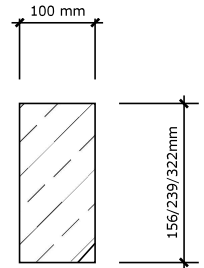
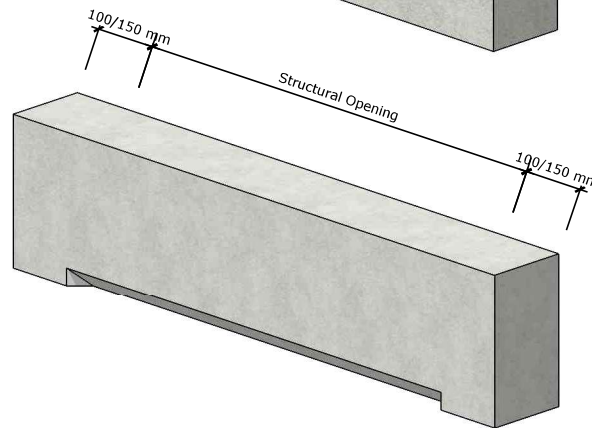
ALL HEADS CAN BE MADE TO SUIT ANY OPENING SIZE

TITLE: HEADS TO SUIT RENDER

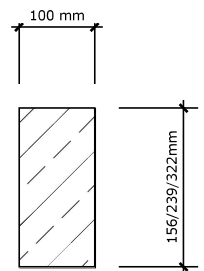
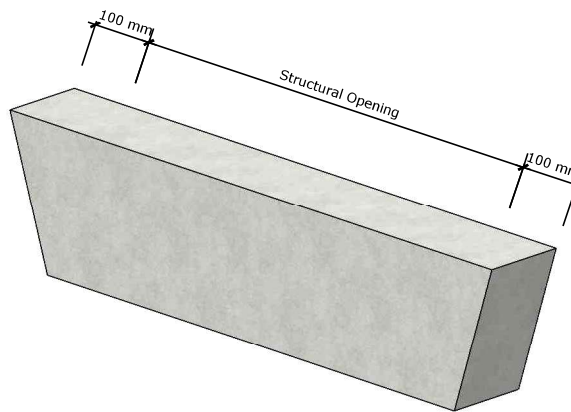
Head TYPE.1-IMP
MAX LENGTH 1500mm



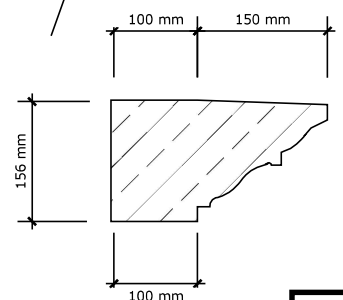
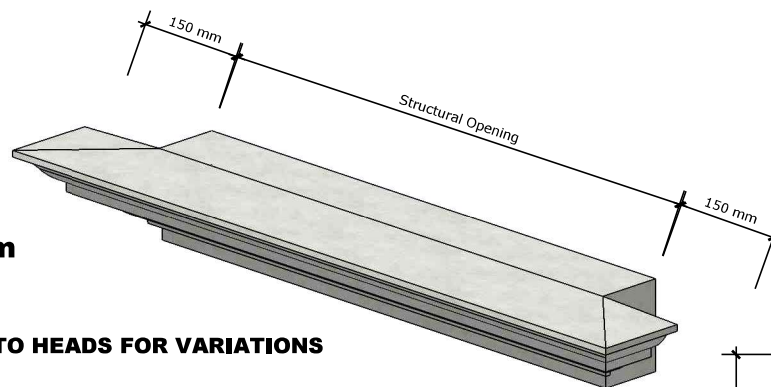
Head TYPE.2-IMP
MAX LENGTH 1500mm



Head TYPE.3-IMP
MAX LENGTH 1500mm



REGENCY TYPE-IMP
MAX LENGTH 1500mm



**KEYSTONES CAN BE ADDED TO HEADS FOR VARIATIONS
 PLEASE SEE PAGE 9**

ALL HEADS CAN BE MADE TO SUIT ANY OPENING SIZE

TITLE: HEADS TO SUIT BRICKWORK